

Specifications

Models S-80 J & S-80 TraX

Measurements	Metric	US
Working height*	26.34 m	86 ft 5 in
Platform height	24.51 m	80 ft 5 in
Horizontal reach	16.69 m	54 ft 9 in
A Platform length - 8 ft model	0.91 m	3 ft
Platform length - 6 ft model	0.76 m	2 ft 6 in
B Platform width - 8 ft model	2.44 m	8 ft
Platform width - 6 ft model	1.83 m	6 ft
C Height - stowed	2.74 m	9 ft
D Length - stowed (Working)	10.44 m	34 ft 3 in
Length, transport (jib tucked under)	7.98 m	26 ft 2 in
E Width, tyres	2.49 m	8 ft 2 in
Width, TraX	2.54 m	8 ft 4 in
F Wheelbase	3.05 m	10 ft
G Ground clearance - center, tyres	36 cm	14 in
Ground clearance - center, TraX	41 cm	16.25 in

Productivity

Maximum lift capacity	300 kg	660 lb
Platform rotation	160°	
Turntable rotation	353° non continuous	
Turntable tailswing (stowed)	2.54 m	8 ft 4 in
Vertical Jib Rotation	126° (+ 70° /- 56°)	
Drive speed - stowed, tyres	4.8 km/h	3.0 mph
- stowed, TraX	3.54 km/h	2.2 mph
Drive speed - elevated, tyres	1.09 km/h	0.68 mph
- elevated, TraX	0.8 km/h	0.50 mph
Turning radius - inside, tyres	2.46 m	8 ft 1 in
Turning radius - outside, tyres	5.54 m	18 ft 2 in
Gradeability ** Max. slope rating, (uphill / downhill)	45% / 20%	
Controls	12 V DC proportional	
Tyres, std	355/55D 625	
Track system - 4 points	TraX	
Tyre contact pressure (tyres)	96 psi	664 kPa
Track contact pressure (TraX)	16 psi	108 kPa
Occupied floor pressure (tyres)	230 psf	11.02 kPa
Occupied floor pressure (TraX)	257 psf	12.32 kPa

Power

Power source	Deutz D2011L03i, diesel, 3-cyl. 49 hp (37 kW) Stage IIIA Kubota D1803, turbo diesel, 3-cyl. 49 hp (37 kW) Stage V	
Hydraulic tank capacity	87 L	23 gal
Hydraulic system capacity	102 L	27 gal
Fuel tank capacity	114 L	30 gal

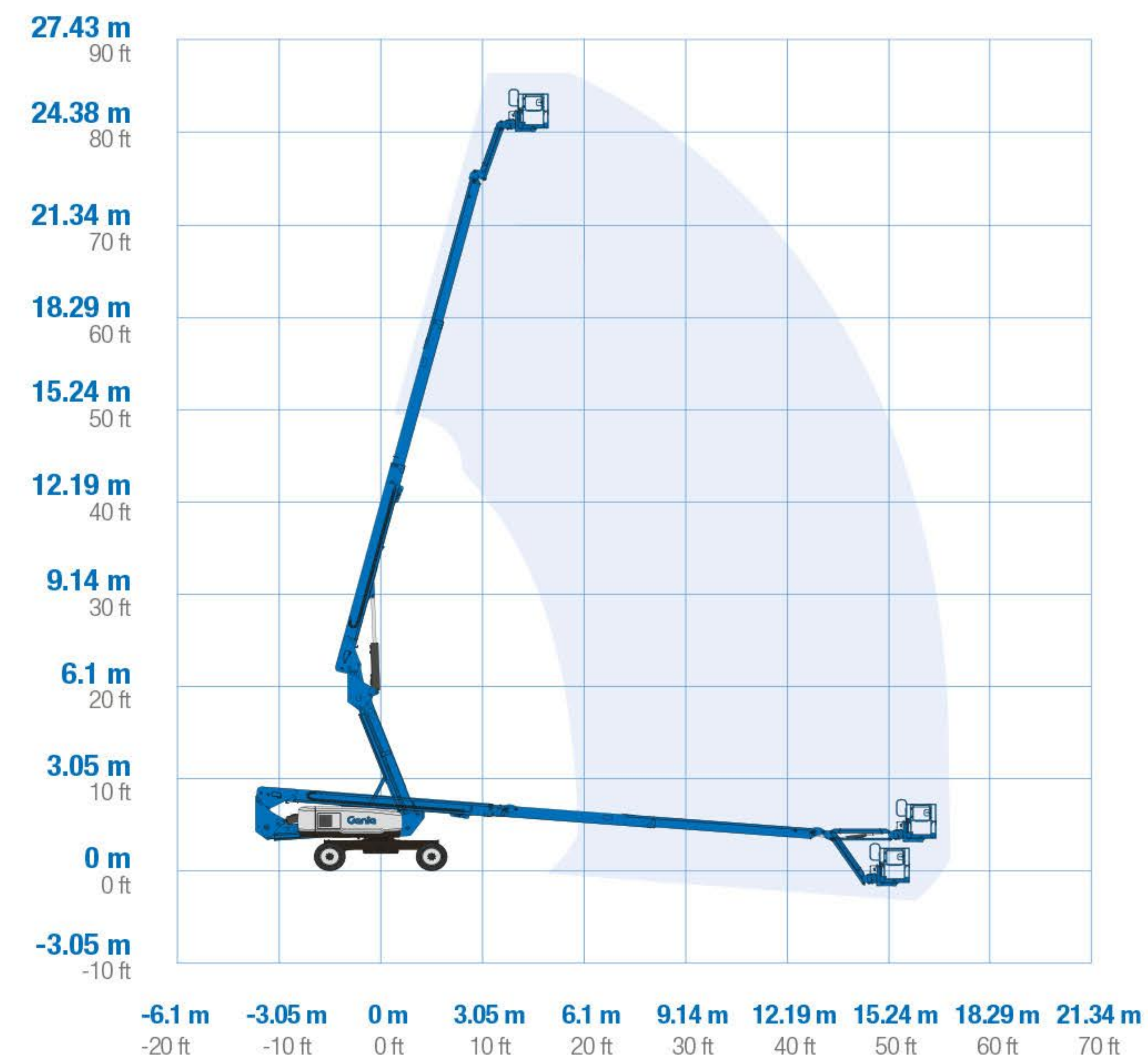
Weight***

Tyres	11,113 kg	24,500 lb
TraX	13,018 kg	28,700 lb

Standards Compliance

EU Directives: 2006/42/EC - Machinery (harmonized standard EN 280:2013+A1:2015); 2004/108/EC (EMC); 2000/14/EC (Outdoor Noise)

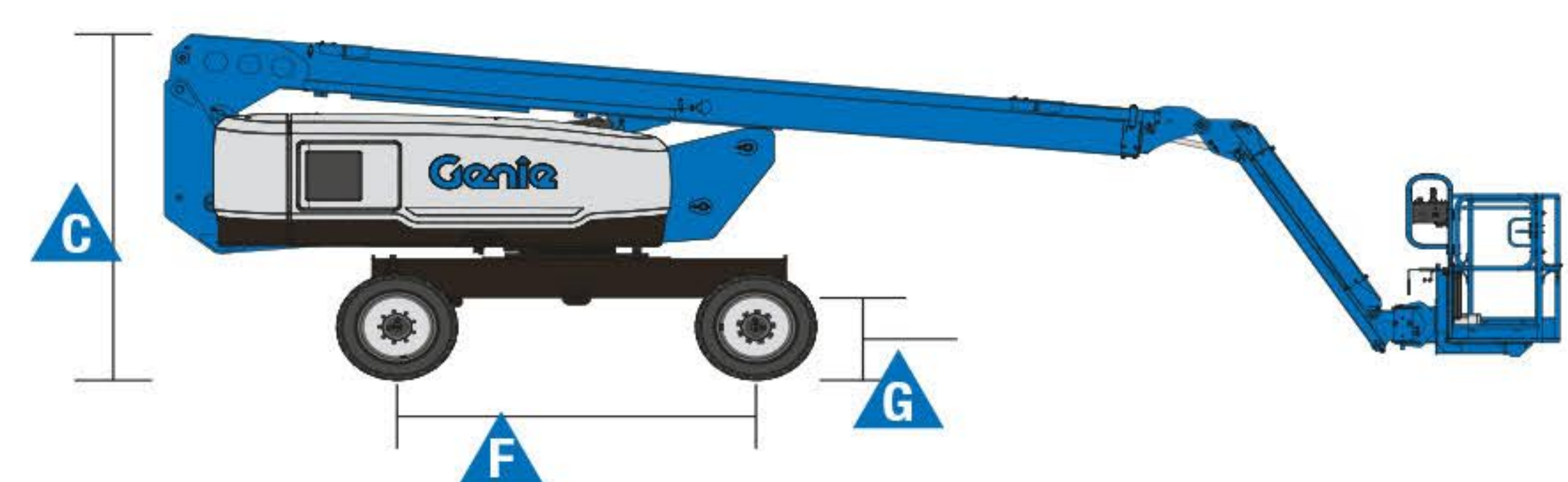
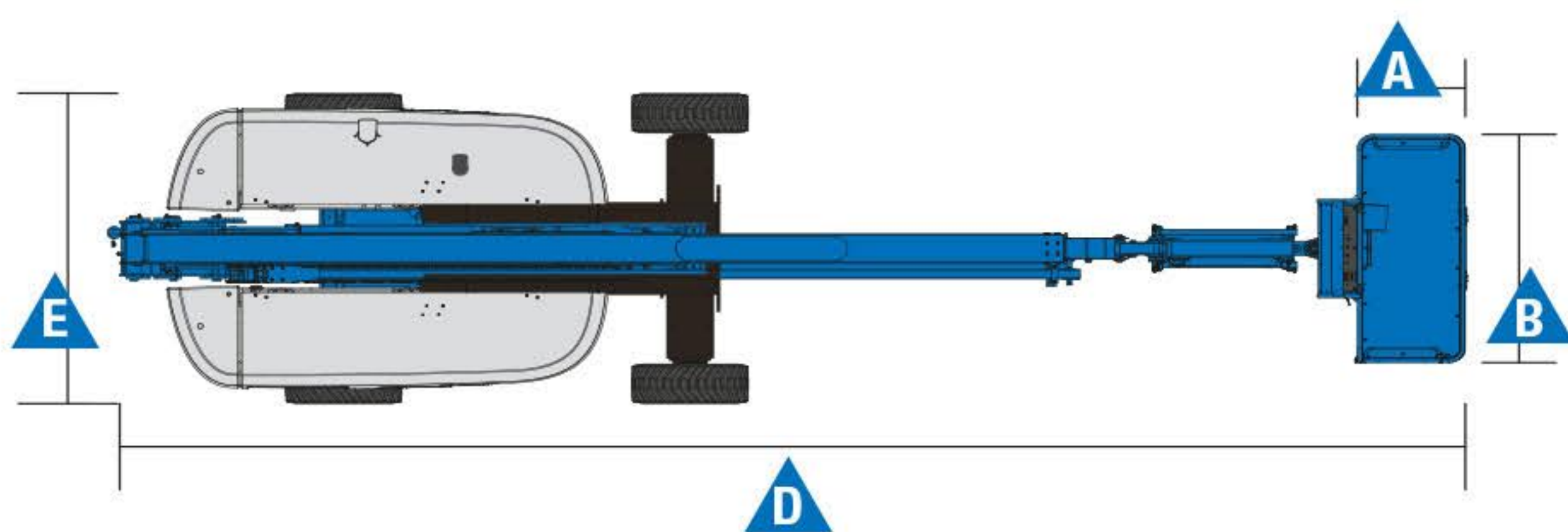
Range Of Motion S-80 J & S-80 TraX



* The metric equivalent of working height adds 2 m to platform height. U.S. adds 6 ft to platform height.

** Gradeability applies to driving on slopes. See operator's manual for details regarding slope ratings.

*** Weight will vary depending on options and/or country standards.



Features

Standard Features	Easily Configured To Meet Your Needs	Options & Accessories
-------------------	--------------------------------------	-----------------------

Measurements

S-80 J & S-80 TraX

- 26.34 m (86 ft 5 in) working height
- 16.69 m (54 ft 9 in) horizontal reach
- 300 kg (660 lb) lift capacity

Productivity

- Self-leveling platform
- 160° hydraulic platform rotation
- Thumb rocker steering
- Proportional joystick controls
- Hydraulic oil cooler
- Drive enable system
- AC power cord to platform
- Horn
- Hour meter
- Descent and tilt alarm
- Flashing beacon & travel alarm
- 353° non continuous turntable rotation
- Locking turntable covers
- Positive Traction Drive
- Two speed wheel motors
- Lift Connect™ Telematics
- Lift Guard™ Contact Alarm
- Lift Tool™ Work Tray
- Techpro Link™ Connector Compatible

Power

- 12 V DC auxiliary power
- Anti-restart engine protection
- Auto engine fault shutdown

Platform Options

- Steel 1.83 m (6 ft) dual-entry platform with side swing gate
- 2.44 m (8 ft) tri-entry platform with side swing gate (standard)

Jib

1.83 m (6 ft) jib

Engine Options

- Deutz D2011L03i, diesel, 3-cyl. 49 hp (37 kW) Stage IIIA
- Kubota D1803, turbo diesel, 3-cyl. 49 hp (37 kW) Stage V

Drive

- 4 x 4

Axle

- Active oscillation

Tyre Options

- Rough terrain foam-filled (standard)
- Rough terrain non-marking (foam-filled)
- TraX

Productivity Options

- Lift Guard™ Half and Full mesh platform⁽¹⁾
- Platform top auxiliary rail
- Air line to platform⁽¹⁾
- Biodegradable hydraulic oil⁽¹⁾
- Hostile environment kit⁽¹⁾: cylinder bellows, boom wiper seals, platform and ground control box cover
- Deluxe hostile environment kit⁽¹⁾: adds to basic kit center turntable shield, ring gear guard, tail pipe guard, engine cover flaps and air pre-cleaner
- Aircraft protection package (6 ft platform only)
- Panel cradle package
- Lockable platform & ground control box
- Genie Tech Pro Link Hand-held Diagnostics Device

Power Options

- Lift Power™ 3kW AC generator, 110V/50Hz or 220V/50Hz
- EMEAR Cold Start kit: Inc. Engine heater & battery charger
- Diesel air intake pre-cleaner⁽¹⁾
- Positive air shutdown system



(1) Factory-fit option only

Europe, Middle East, Africa and Russia Region

United Kingdom & Europe, T: +44 800 988 3739 (toll free) or +31 165 519 349

Middle East, Southern Africa, Russia and Turkey, T: +971 4 399 0381

Visit www.genielift.com/en-gb/about-genie/locations to view our global locations list

Worldwide Manufacturing And Distribution

Australia • Brazil • Caribbean • Central America • China • France • Germany • Italy • Japan • Korea • Mexico • Russia • Southeast Asia • Spain • Sweden • United Arab Emirates • United Kingdom • United States

Product specifications and prices are subject to change without notice or obligation. The photographs and/or drawings in this document are for illustrative purposes only. Refer to the appropriate Operator's Manual for instructions on the proper use of this equipment. Failure to follow the appropriate Operator's Manual when using our equipment or to otherwise act irresponsibly may result in serious injury or death. The only warranty applicable to our equipment is the standard written warranty applicable to the particular product and sale and we make no other warranty, express or implied. Products and services listed may be trademarks, service marks or trade names of Terex Corporation and/or their subsidiaries in the USA and many other countries. Genie is a registered trademark of Terex South Dakota, Inc. © 2020 Terex Corporation.

